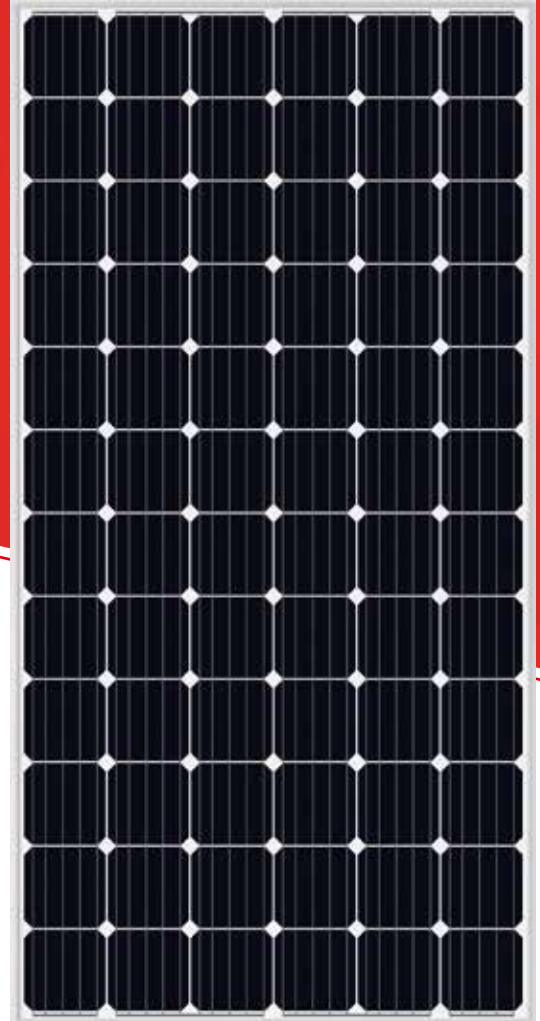


SRP-6MA-HV SERIES 6 INCH 72 CELLS

335-350w



KEY FEATURES



Bankable products



Class C fire safety class



Top rank in Photon yield measurement



Outstanding power output capability at low irradiance



Tested and certified according to newest IEC standard IEC61215:2016



Triple 100% Electroluminescence (EL) tests minimize breakage rate



Tested and certified according to newest IEC standard IEC61730-1:2016 IEC61730-2:2016



World 1st company to pass "Thresher Test" and "On-site Power Measurement Validation" certificate



Withstand and applicable up to 1500V high system voltage

MANAGEMENT SYSTEM

ISO 9001: Quality management system

ISO 14001: Standard for environmental management system

OHSAS 18001: International standard for occupational health and safety assessment system

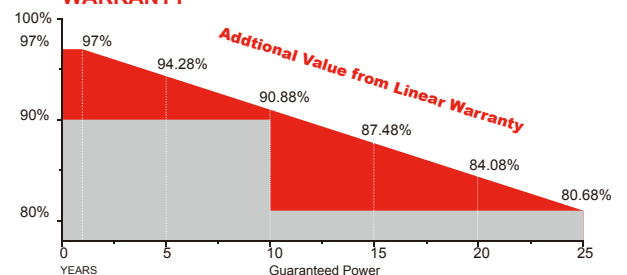
INSURANCE



PRODUCT CERTIFICATES



WARRANTY



Guarantee on product material and workmanship



linear power output warranty

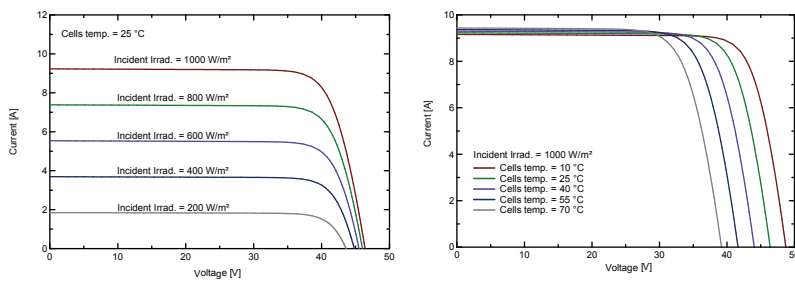
Specifications are subject to change without further notification SRP-DS-EN-2018V2.0 © Copyright 2018 Seraphim

Electrical Characteristics

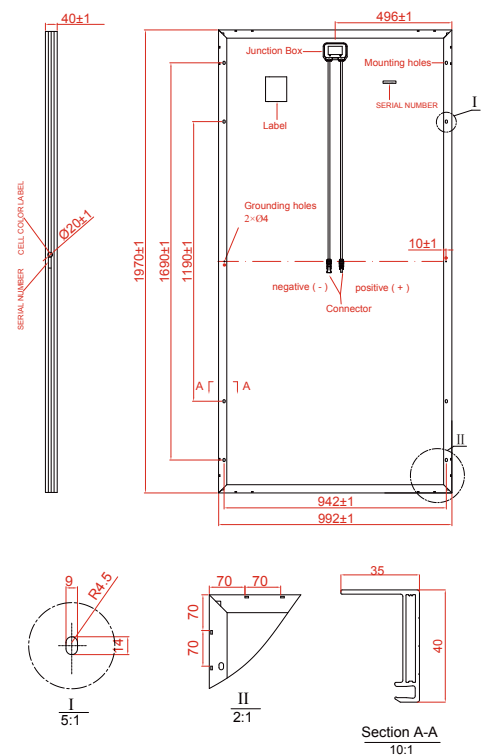
Module Type	SRP-335-6MA-HV		SRP-340-6MA-HV		SRP-345-6MA-HV		SRP-350-6MA-HV	
	STC	NOCT	STC	NOCT	STC	NOCT	STC	NOCT
Maximum Power -P _{mp} (W)	335	249	340	252	345	256	350	260
Open Circuit Voltage -V _{oc} (V)	46.4	42.8	46.6	43	46.8	43.2	47	43.4
Short Circuit Current -I _{sc} (A)	9.23	7.53	9.32	7.59	9.43	7.64	9.51	7.68
Maximum Power Voltage -V _{mp} (V)	37.5	35.3	37.7	35.5	37.9	35.6	38.1	35.8
Maximum Power Current -I _{mp} (A)	8.94	7.05	9.02	7.10	9.11	7.19	9.19	7.27
Module Efficiency STC-η _m (%)	17.14		17.40		17.65		17.91	
Power Tolerance (W)	(0,+4.99)							
Maximum System Voltage (V)	1500 (TÜV)							
Maximum Series Fuse Rating (A)	20							
Pmax Temperature Coefficient	-0.40%/°C							
Voc Temperature Coefficient	-0.32 %/°C							
Isc Temperature Coefficient	+0.05 %/°C							
Operating Temperature	-40~+85 °C							
Nominal Operating Cell Temperature	45±2 °C							

STC: Irradiance 1000 W/m² module temperature 25°C AM=1.5
 NOCT: Irradiance 800 W/m² ambient temperature 20°C wind speed :1m/s Power measurement tolerance: +/-3%

Curve



Technical drawing



Mechanical Specifications

External Dimension	1970 x 992 x 40mm
Weight	21.5kg
Solar Cells	Mono crystalline 156.75 x 156.75 mm (72pcs)
Glass of Both Side	3.2 mm tempered glass, low iron
Frame	Anodized aluminium alloy
Junction Box	IP67
Output Cables	4.0 mm ² , cable length:1100 mm
Connector	MC4 Compatible
Mechanical Load	5400 Pa

Packing Configuration

External Dimension	1970 x 992 x 40mm	
Container	20'GP	40'GP
Pieces per Pallet	27	27
Pallets per Container	10	22
Pieces per Container	270	594

* All Dimensions in mm
 * The above drawing is a graphical representation of the product.
 For engineering quality drawings please contact SERAPHIM.