

Sable 615-630w

High efficiency bifacial modules

TOPCon 182mm

TOPCon MODULE ADVANTAGE



Multi-Busbar technology



Superior load capacity



High module efficiency



Excellent low-light performance



Lower annual attenuation
Longer warranty



Low BOS and LCOE



Reduce hot spot effect



Higher bifaciality

QUALITY SYSTEM

ISO9001 / ISO14001 / ISO45001

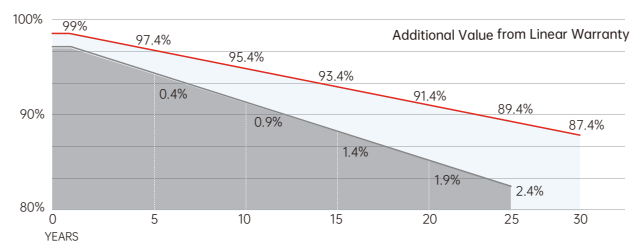
PRODUCT CERTIFICATION



INSURANCE

PICC

WARRANTY



15 YEARS Guarantee on product material and workmanship



30 YEARS Linear power output warranty



Jiangsu Seraphim Solar System Co., Ltd.

Add: NO.10 TongShun road, Henglin Town, Wujin District, Changzhou, Jiangsu Province, China.
Tel: +86-564-7736177 Email: info@seraphim-energy.com

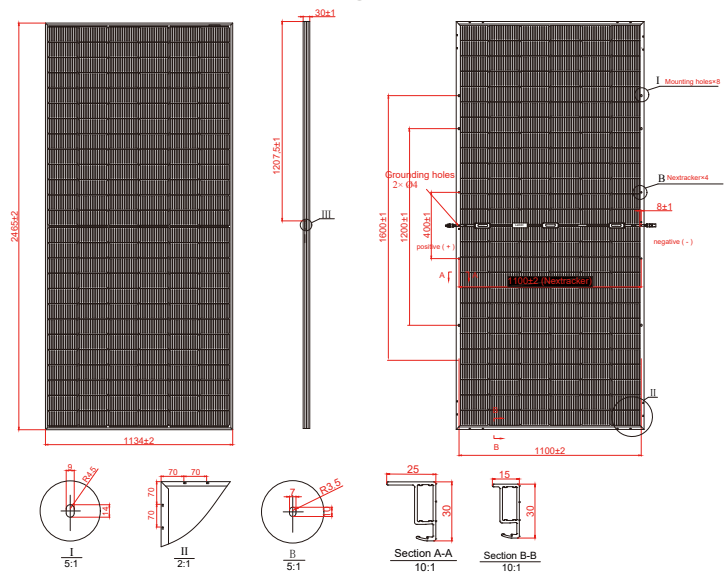
Mechanical Specifications

External Dimension	2465 x 1134 x 30 mm	
Weight	34.6 kg	
Solar Cells	TOPCon 182 x 91 mm (156pcs)	
Front / Back Glass	2.0mm AR coating semi-tempered glass, low iron	
Frame	Anodized aluminium alloy	
Junction Box	IP68, 3 diodes	
Output Cables	4.0mm ² , 250mm(+)/350mm(-) or Customized Length	
Connector	Genuine MC4 EVO2/Zerun Z4S-abcde/QC Solar QC4.10-cds	
Fire Safety Class	Class A	

Packing Configuration

Container	20'HQ	40'HQ
Pieces per Pallet	36	36
Pallets per Container	4	16
Pieces per Container	144	576

Technical drawing



Electrical Characteristics

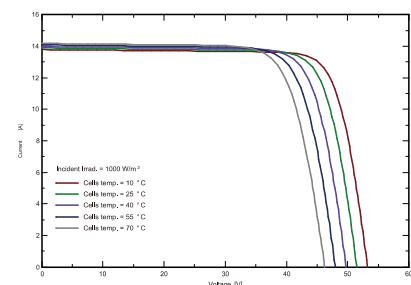
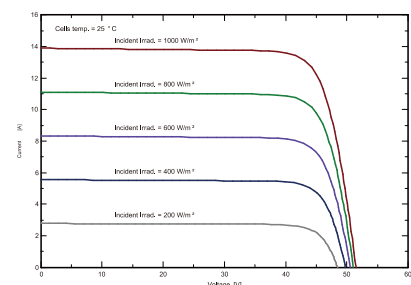
Module Type	SRP-615-BTZ-BG			SRP-620-BTZ-BG			SRP-625-BTZ-BG			SRP-630-BTZ-BG		
	Front STC	Front BNPI	Back STC	Front STC	Front BNPI	Back STC	Front STC	Front BNPI	Back STC	Front STC	Front BNPI	Back STC
Maximum Power P_{mp} (W)	615	674	492	620	680	496	625	685	500	630	690	504
Open Circuit Voltage V_{oc} (V)	55.84	55.92	55.82	56.04	56.12	56.02	56.24	56.32	56.22	56.44	56.52	56.42
Short Circuit Current I_{sc} (A)	13.89	15.22	11.11	13.95	15.29	11.16	14.01	15.35	11.21	14.07	15.42	11.26
Maximum Power Voltage V_{mp} (V)	46.56	46.64	46.56	46.76	46.84	46.76	46.93	47.01	46.92	47.13	47.21	47.12
Maximum Power Current I_{mp} (A)	13.21	14.45	10.57	13.26	14.51	10.61	13.32	14.57	10.66	13.37	14.63	10.70
Module Efficiency STC- η (%)	22.00			22.18			22.36			22.54		
Power Tolerance (W)							(0, +4.99)					
Pmax Temperature Coefficient							-0.29 %/°C					
Voc Temperature Coefficient							-0.25 %/°C					
Isc Temperature Coefficient							+0.046 %/°C					

STC: Irradiance 1000 W/m² module temperature 25°C AM=1.5 Power measurement tolerance: +/-3%; Voltage measurement tolerance: +/-3%; Current measurement tolerance: +/-3%
 BNPI: front 1000 W/m² rear 135 W/m² Power measurement tolerance: +/-3%; Voltage measurement tolerance: +/-3%; Current measurement tolerance: +/-3%

Rear Side Power Gain (SRP-620-BTZ-BG)

Power Gain	10%	15%	20%	25%	30%
Maximum Power P_{mp} (W)	682	713	744	775	806
Open Circuit Voltage V_{oc} (V)	56.04	56.04	56.04	56.04	56.04
Short Circuit Current I_{sc} (A)	15.35	16.04	16.74	17.44	18.14
Maximum Power Voltage V_{mp} (V)	46.76	46.76	46.76	46.76	46.76
Maximum Power Current I_{mp} (A)	14.59	15.25	15.91	16.58	17.24

I-V Curve



Application Conditions

Maximum System Voltage	1500V DC
Maximum Series Fuse Rating	25 A
Operating Temperature	-40~+85 °C
Nominal Operating Cell Temperature	45±2 °C
Bifaciality	80%±5%
Mechanical Load	Front side 5400 Pa / Back side 2400 Pa

Specifications are subject to change without further notification SRP-DS-EN-2024T0507© Copyright 2024 Seraphim



Jiangsu Seraphim Solar System Co., Ltd.

Add: NO.10 TongShun road, Henglin Town, Wujin District, Changzhou, Jiangsu Province, China.
 Tel: +86-564-7736177 Email: info@seraphim-energy.com